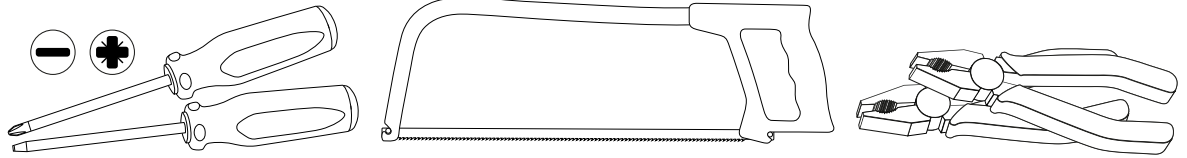


Tools needed

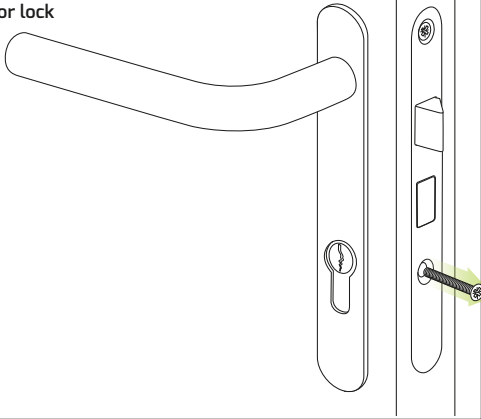
To mount the Danalock you need a small flat-head screwdriver, a Philips screwdriver, two pliers or a hacksaw.



1. Remove the current door lock

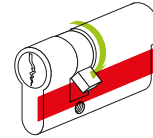
First you have to remove your current door lock.

Start on the outside of the door by unscrewing the locking screw in the mortise-plate at the side of the door.

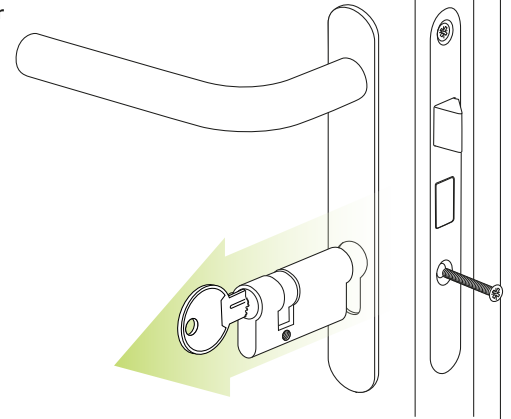


2. Take out the cylinder

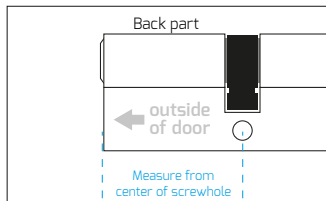
Insert your key and turn it so the cam lines up with the body of the cylinder.



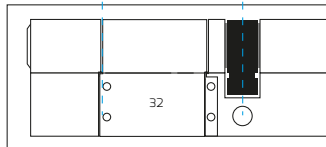
Now you can pull out the cylinder.



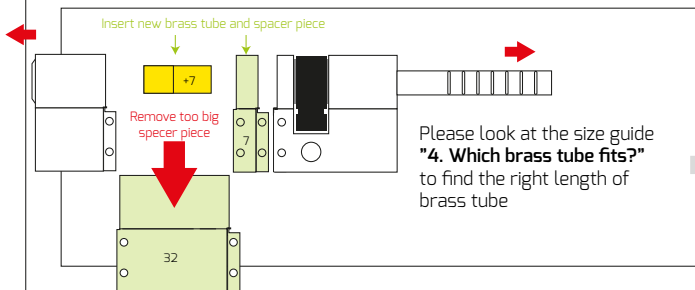
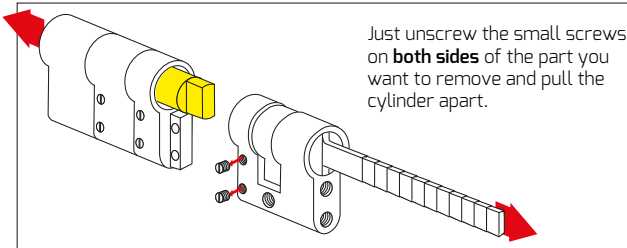
3. Choose your new cylinder



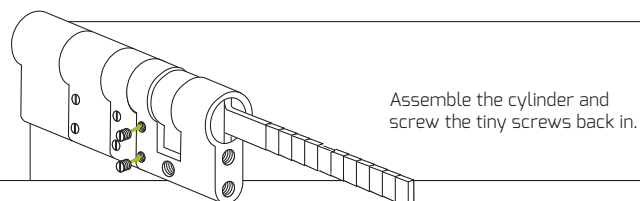
Measure the back part of the old cylinder from the middle of the screwhole and away (see top illustration).



In the Danalock box you'll find an adjustable lock cylinder.

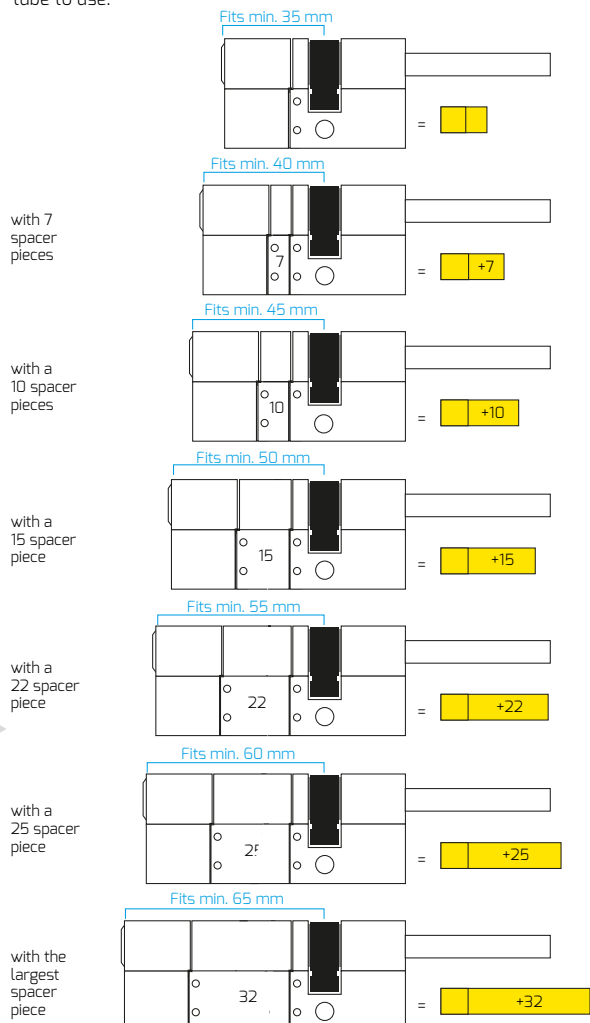


Please look at the size guide "4. Which brass tube fits?" to find the right length of brass tube



4. Which brass tube fits?

In the Danalock package you'll find an adjustable cylinder, a small screwdriver and 6 brass tubes. When you remove one or more parts of the cylinder you'll have to exchange the brass cylinder in the center with another that fits the new measurements. Here is the different combinations and the right brass tube to use:



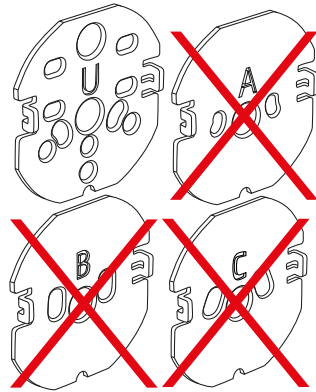
5. Choose the right back plate

In the Danalock box there's 4 different metal back plates.

A, B and C is for US deadbolt doors.

U is for EURO and SCANDI doors.

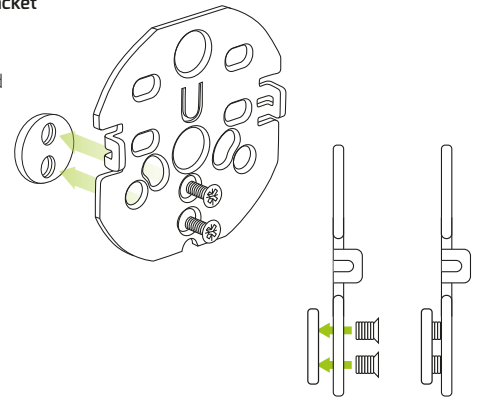
This is the one you normally have to use on European doors.



6. Attach the special bracket

In the Danalock box you'll find a mounting bracket special designed for long cover plates.

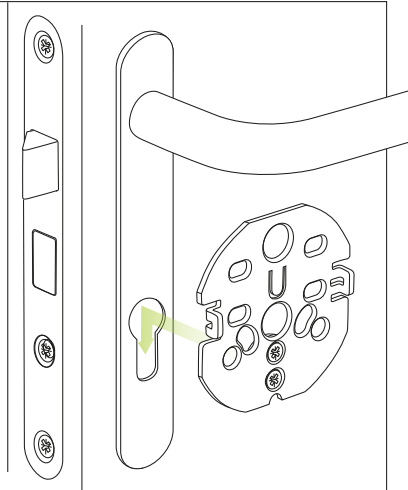
Place it at the bottom of the U back plate and screw the 2 small screws in, leaving enough space between the bracket and the plate to slide it in the keyhole.



7. Attach the special bracket

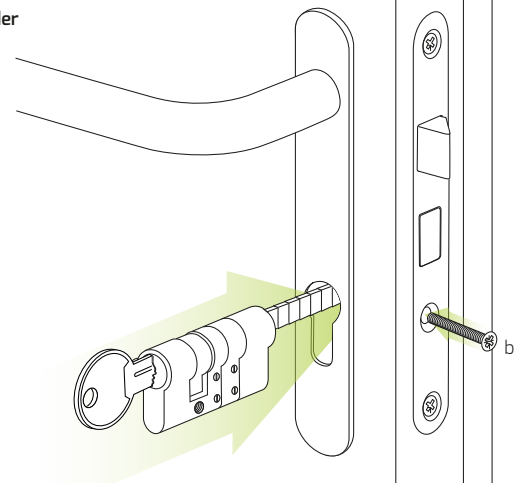
Slide the backplate with the bracket in and down on the keyhole.

Fasten the screws to tighten the back plate firmly to the bracket with the long shield cover plate in the middle.



8. Insert the new cylinder

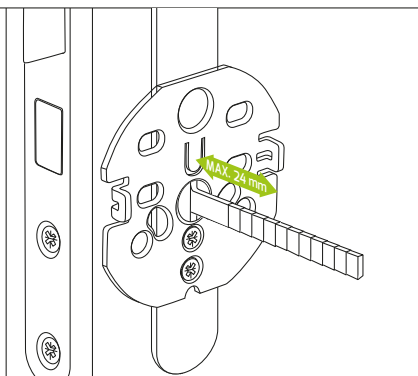
Insert the adjustable cylinder you chose, and re-insert the locking screw in the mortise-plate to secure the cylinder. (b)



9. Adjusting the tailpiece

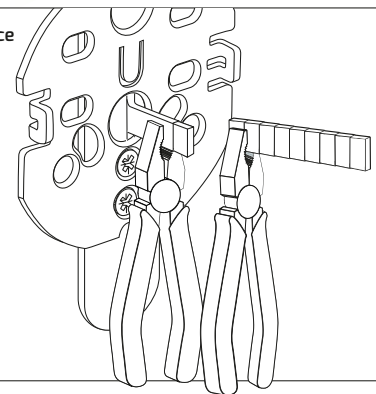
To avoid damaging the Danalock you will have to shorten the new cylinder tailpiece.

It should only extend max. 24 mm from the door surface.



10. break or cut the tailpiece

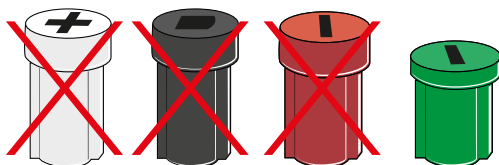
Use two pliers to hold and break the tailpiece or cut it with a hacksaw or a vire cutter.



11. The right tailpiece adaptor

Choose the right tailpiece adaptor from the Danalock package.

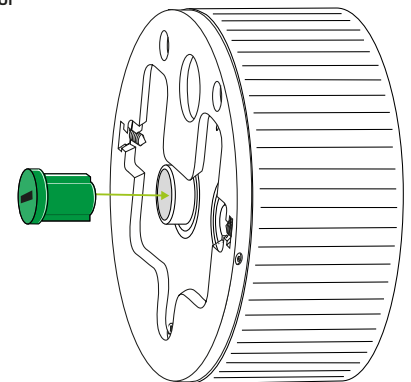
The green tailpiece adaptor is designed to match the adjustable cylinder.



12. Attach the tailpiece adaptor

Insert the tailpiece adaptor, that suits the tailpiece on your door in the center tube on the backside of your Danalock.

Press on the tailpiece adaptor until a click ensures it is fixed to the Danalock.

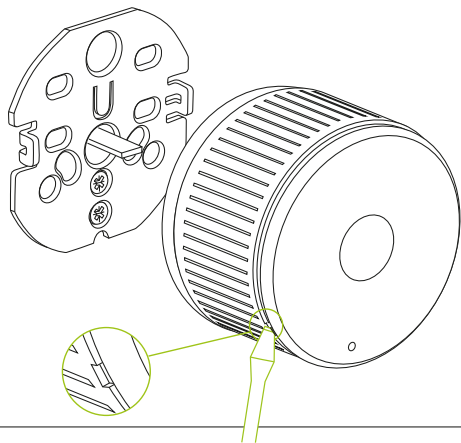


13. Remove the lid

To power up your Danalock circle you first have to remove the top lid from the housing base.

Use a small flat-head screwdriver to separate the lid from the housing base.

Be gentle when removing the lid.

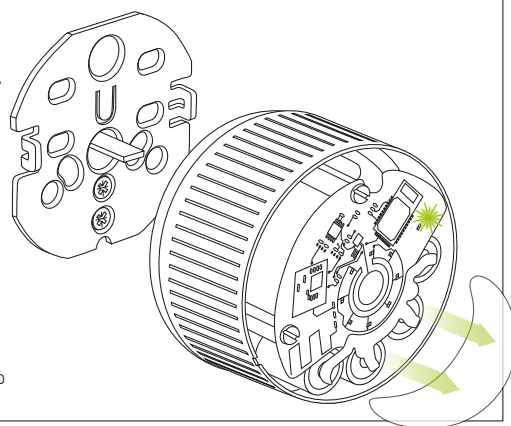


14. Power up the lock

The Danalock comes with batteries inserted, but a thin plastic folio guarantees that your new Danalock is fully charged.

Remove the folio and the Danalock lights up with a green light for 5-10 seconds.

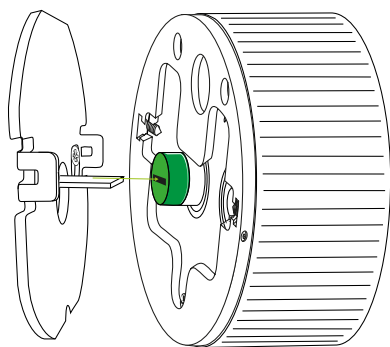
NOTE: This LED is the ONLY light that lights up, after the folio has been removed.



15. Fit the tailpiece to the middle of the housing base

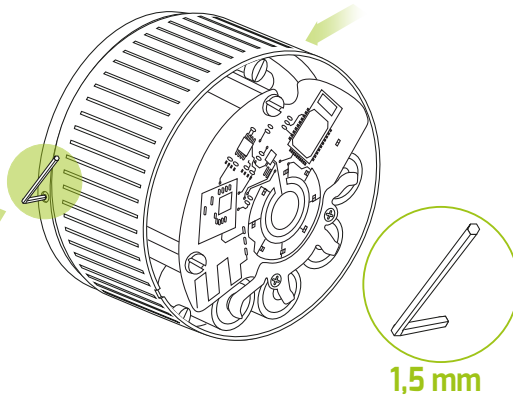
Fit the Danalock over the back plate.

Make sure that the tailpiece hits the slide in the middle of the adaptor.



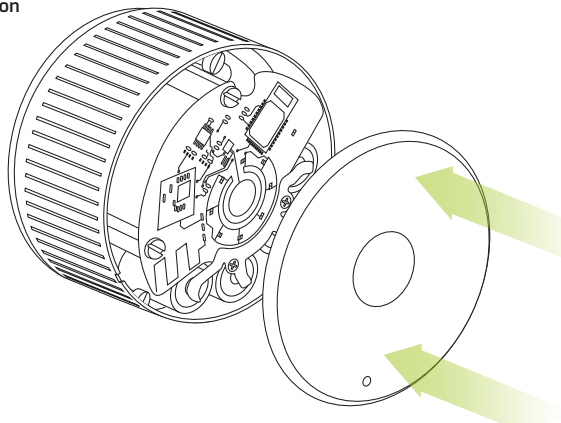
16. Fasten the Danalock

Fasten the Danalock to the back plate by tightening the two umbraco screws on each side of the base with an 1,5 mm Allen key.



17. Click the lid on

Click the lid gently back on.

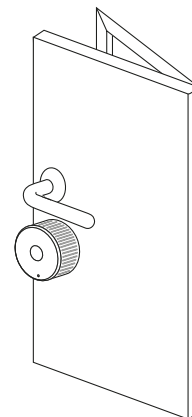


18. Ready for calibrating

You need to calibrate the Danalock before you can use it.

After mounting turn the Danalock until the lock is unlocked. Leave the door open, so the lock isn't influenced while calibrating.

Note: If the batteries are disconnected, you will have to calibrate the Danalock again.



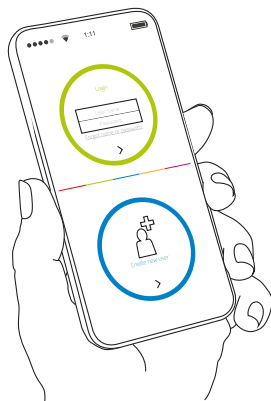
19. Download the Danalock App

Go to Google Play or App Store and download the Danalock App.

When you have installed the app you need to make a user profile in the top green ring. You will use this profile each time you log on to the app.

Next you need to press "Menu" in the top right corner, and the press "Add lock".

A guide will now lead you through the configuration of your Danalock.



20. Lock / unlock with your smartphone

Use your smartphone to lock or unlock by pressing the lockicon on your Keychain in the app.

You can also use the Auto unlock feature to unlock your door when you come home, and have the Danalock to automatically lock the door behind you after a few seconds.

